

CASSETTE LABELS

UV print

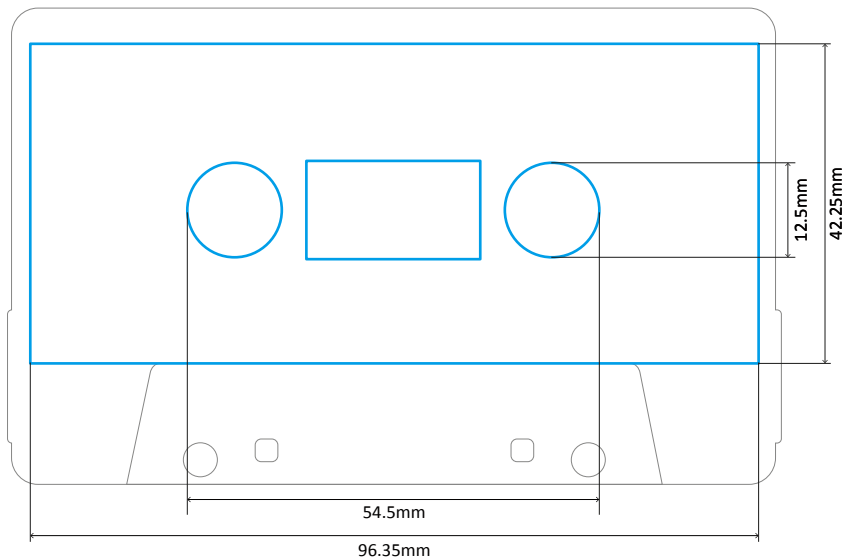


--- BLEED LINE — CUT LINE CLEARANCE AREA

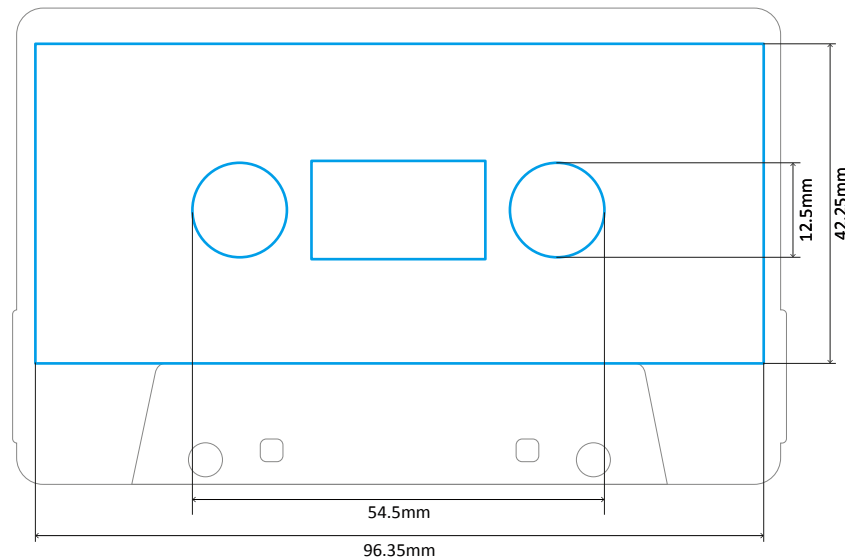
Please double-check that all vital components of your submitted artwork (text, logos etc.) are within the supplied safe regions of the template and that your artwork extends to the bleed lines. Failure to do so may result in some clipping of your artwork or white borders around your artwork.

Do NOT flatten or merge template lines with artwork.

A



B



1:1 scale page dimensions 2mm bleed
Labels_uv_print: 96.35 x 42.25mm – label (uv print)

COLOUR:	Transparent/Black/White
EFFECT:	None